



[Features]

- Pendant Pipe Mount
- Support up to 10 Kg
- Compatible with the i3S700-series speed domes

[Application & Benefits]

Consider mounting the i3D700-series Vandal Resistant Speed Dome camera to the ceiling with the i3D702 Pendant pipe mount bracket. Featuring cast aluminum & steel construction, this bracket will last the life of your camera and beyond. Suitable for both indoor and outdoor installations.

i3 International produces a range of camera and DVR accessories applicable for many retail, commercial and industrial applications. From aluminum camera brackets to UTP & power Supplies our full line of accessories offer tremendous value to security and loss prevention professionals.

To learn more about our complete line of products, please visit our website or contact our customer care department at 1.866.840.0004.

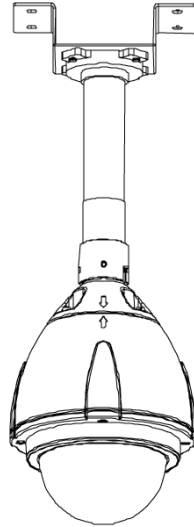
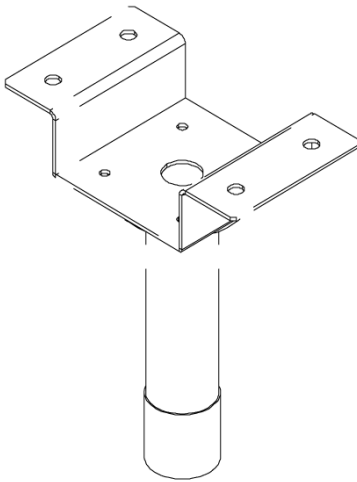
[Specifications]

- Color: White
- Construction: Aluminum + Steel
- Dimensions (WxHxD): 120mm x 268mm x 214mm
- Weight: 2.1 Kg
- Shipping Size (WxHxD): 110mm x 240mm x 230mm
- Shipping Weight: 2.2 Kg



©2009 i3International. The i3 logo is property of i3International Inc. All rights reserved. Specifications, configurations, components and options listed are subject to change without notice. This data sheet may not be reproduced without permission.

i3D702 Pendant Pipe Mount Technical Drawing



i3D730PTZ + i3D750PTZ speed domes

Specification

Features

- Pendant Pipe Mount
- Compatible with i3D730PTZ + i3D750PTZ speed domes
- Options: SAD709

Mechanical Specifications

Construction	Aluminum+Steel
Color	white
Dimensions (WxHxD)	120mm x 268mm x 214mm
Weight (kg)	2.1 kg

Ordering information

Model	i3D702
Shipping size (WxHxD)	110mm x 240mm x 230mm
Shipping weight	2.2 kg

